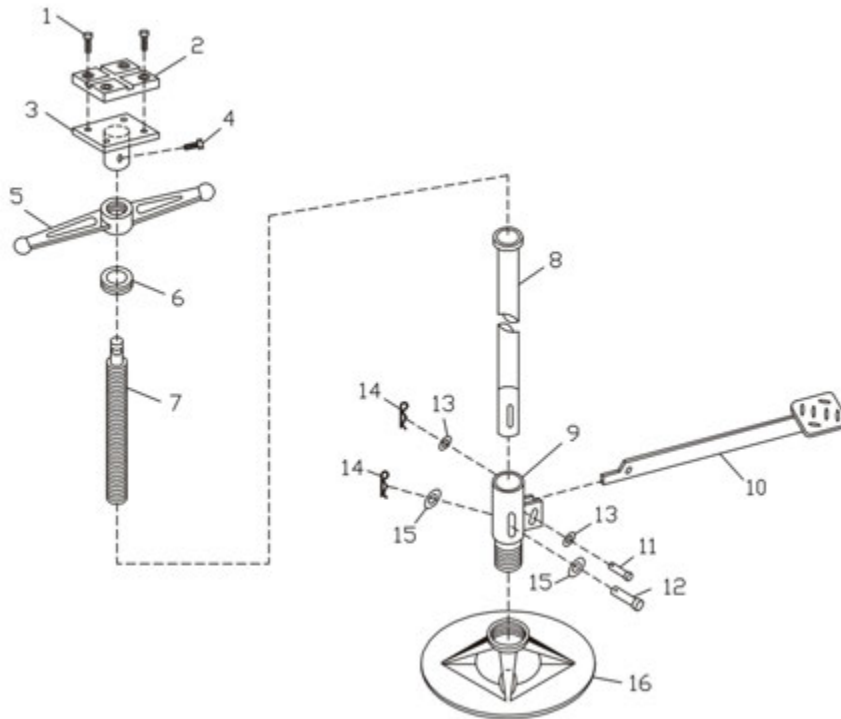


875A 3/4 TON HIGH STAND MODEL 875A

PROD NO. 032204
MOD NO. 875A



REF	PART NUMBER	DESCRIPTION	REQ
1	PCN-874AP01	Hexagon Bolt	4
2	PCN-874AP02	Rubber Pad	1
3	PCN-874AP03	saddle	1
4	PCN-875AP04	Hex Bolt	1
5	PCN-874AP04	Handle	1
6	PCN-875AP06	Plane Bearings	1
7	PCN-875AP04	Acme Thread	1
8	PCN-875AP08	Metal Support	1
9	PCN-875AP09	Post Support	1
10	PCN-875AP10	Pedal	1
11	PCN-875AP11	Stop Pin	1
12	PCN-875AP12	Stop Pin	1
13	PCN-875AP13	Washer	2
14	PCN-875AP14	Retaining Pin	2
15	PCN-875AP15	Washer	2
16	PCN-875AP16	Base	1